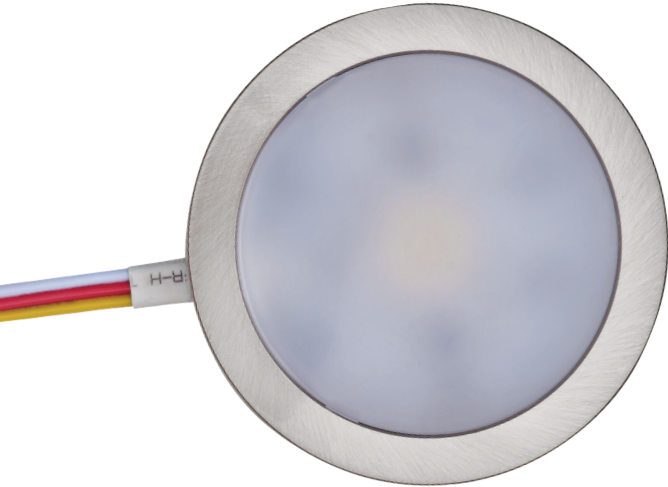




NEW!

24VDC

4W CCT Power Pockit®



2700K

3500K

6500K

White Tunable from 2700K-6500K



Available in multiple finishes with milk lens



Thin profile: Just 1/2" (13 mm) depth when recessing or surface mounting

4W	2700K: 236 Lumens 6500K: 280 Lumens	105°
Install now and choose the color temperature later with warm 2700K to daylight 6500K all in one fixture. A high output, slim profile and recess or surface mount capability make this our most versatile puck for even illumination.		

Features:

1/2" (13 mm) depth

105-degree beam spread

High Luminous Output - no "dots"

Aluminum die cast construction

White Tunable from 2700K-6500K

Precision tunable remote controls (sold separately)

Recess or surface mount

Typical Applications:

Displays or store fixtures

Interior Cabinets/Shelving

Under Cabinets

Task or flood lighting



Available Finishes:



Black (BL)

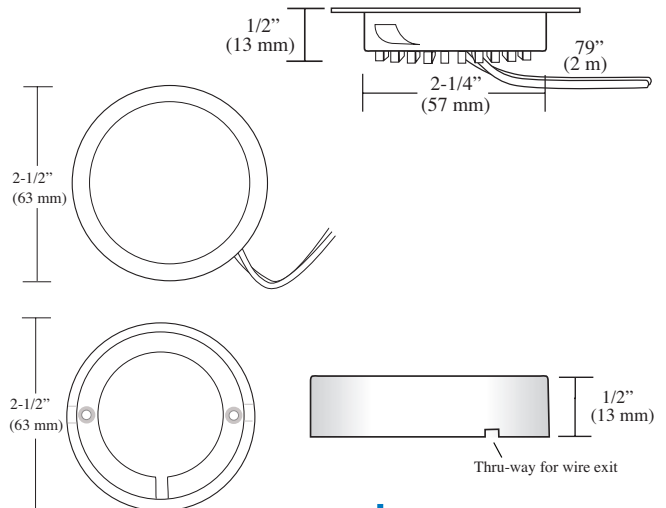


Nickel (NI)



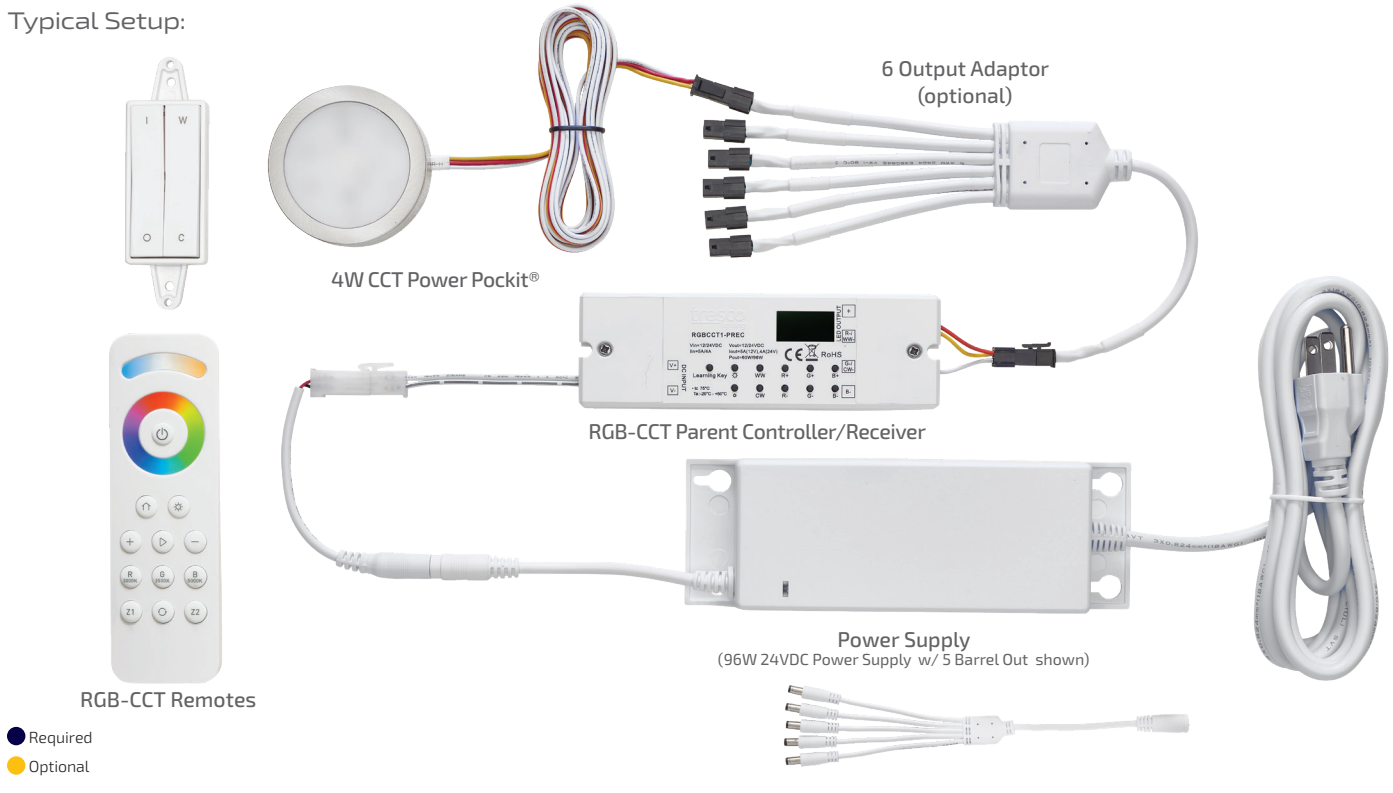
White (WH)

Dimensions:

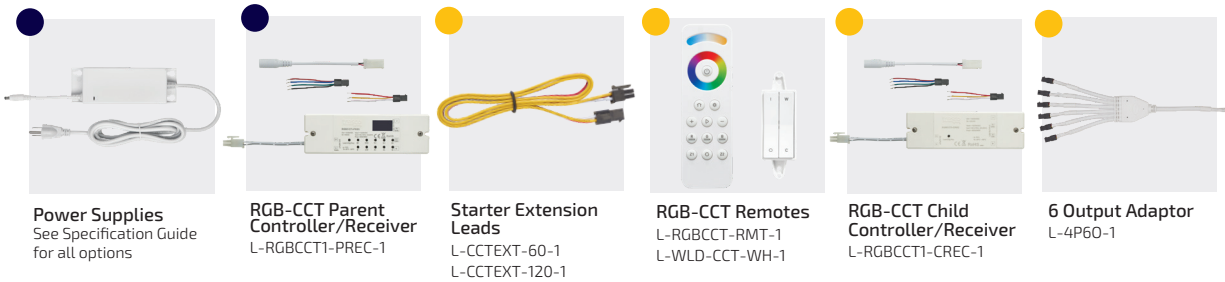


4W CCT Power Pockit®

Typical Setup:



Accessories:



Specifications:

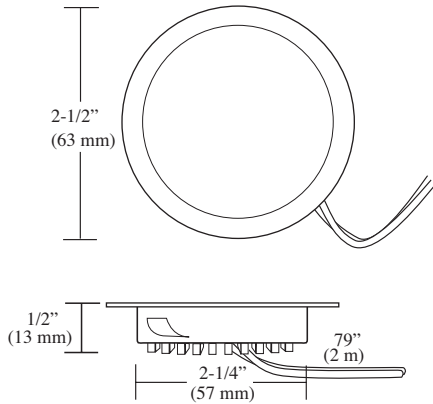
Wattage	Lumens	Efficacy (lm/W)	Input Voltage	Diode Life	Max Per 96W Power Supply	Mounting	Warranty	Beam Angle
4W	2700K: 236 6500K: 280	2700K: 59 6500K: 70	24VDC	50,000 Hours	24 Fixtures	Recess/ Surface	5 Year	
Photometric Data				Color Temperature				
	Height	Light Output	Beam Area					
	1ft (.3m)	93.7Fc (1009lx)	2.6ft L x 2.7ft W (.8 m L x .8 m W)					
	3ft (.9m)	10.4Fc (112lx)	7.9ft L x 8.0ft W (2.4 m L x 2.4 m W)					
	6ft (1.8m)	2.6Fc (28lx)	15.8ft L x 15.9ft W (4.8 m L x 4.8 m W)					
L-POC-4CCT24-NI-1 Tested at 6500K								

Puck

All product dimensions and specifications are subject to change without prior notice.

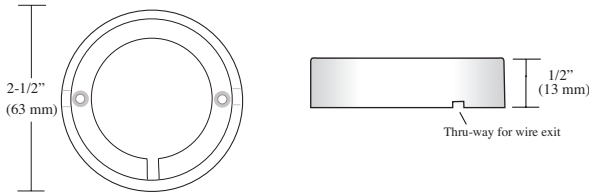
- Required
- Optional

● 24VDC 4W CCT Power Pockit®



Part #	Description
L-POC-4CCT24-BL-1	24VDC 4W CCT Power Pockit®, Black
L-POC-4CCT24-NI-1	24VDC 4W CCT Power Pockit®, Nickel
L-POC-4CCT24-WH-1	24VDC 4W CCT Power Pockit®, White

2-1/4" (57 mm) hole required for recessed mounting.
4W CCT Power Pockit® includes surface mount ring and attached 79" (2 m) input lead with 4-pin connector.

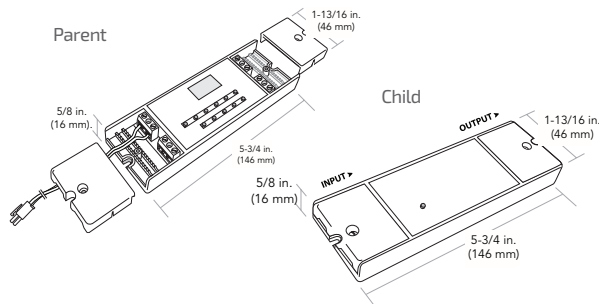


● 24VDC Power Supplies



Works with all Tresco® 24VDC Power Supplies. See Specification Guide for all options.

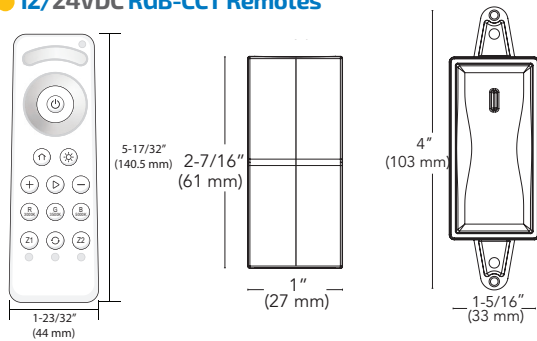
● 12/24VDC RGB-CCT Controller/Receivers



Part #	Description
L-RGBCCT1-PREC-1	12/24VDC RGB-CCT Parent Controller/Receiver
L-RGBCCT1-CREC-1*	12/24VDC RGB-CCT Child Controller/Receiver

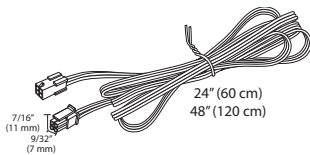
*Child Receiver is optional.

● 12/24VDC RGB-CCT Remotes



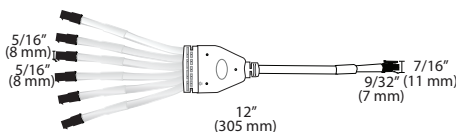
Part #	Description
L-RGBCCT-RMT-1	RGB-CCT Wireless Remote
L-WLD-CCT-WH-1	CCT FREEDiM Deco Wall Dimmer, White

● 12/24VDC CCT Starter Extension Leads



Part #	Description
L-CCTEXT-60-1	60 cm (24") CCT FlexTape® Starter Extension Lead
L-CCTEXT-120-1	120 cm (48") CCT FlexTape® Starter Extension Lead

● 12/24VDC 6 Output Adaptor



Part #	Description
L-4P60-1	4 Position, 6 Output Adaptor, White

Use to connect up to (6) 4W CCT Power Pockit®s to the same parent or child controller/receiver for uniform color temperature and control.